



- Optical or magnetic principle
- Incremental measurement
- 6, 8, 10 mm hole diameters
- Resolution up to 20,000 pulse for ARC (Optical), up to 4096 pulse for ARS (Magnetic)
- 300 KHz response frequency

### TECHNICAL SPECIFICATIONS

Operating Temperature	- 25 to 85 °C
Stock Temperature	- 40 to 100 °C
Protection Class	IP54
Response Frequency	300 KHz
Operating Speed	Optical: 6.000 RPM max. Magnetic: 3.000 RPM max.
Hole Diameter	6 mm, 8 mm, 10 mm

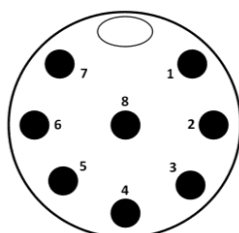
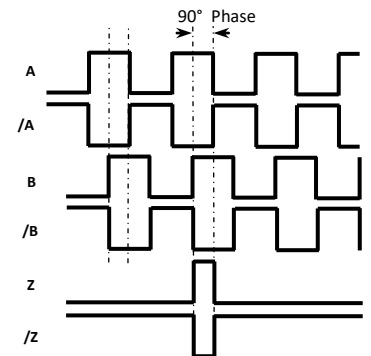
### ELECTRICAL SPECIFICATIONS

Supply Voltage	+5 VDC, +10VDC...30VDC
Supply Current	50mA Nominal
Output Type	Push Pull, TTL Line Driver, Open Collector (Optical)
Output Signals	A, /A, B, /B, Z, /Z
Output Current	100mA max. (Every Channel)
Connection	5 or 8 x 0,14 mm <sup>2</sup> Cable with shield

### OUTPUT SIGNALS

PIN NO	SIGNAL	CABLE COLOR
1	A	YELLOW
2	/B	WHITE
3	+V	RED
4	0 V	BLACK
5	/A	BLUE
6	B	GREEN
7	/Z	GREY
8	Z	PINK
9	GROUND	SHIELD

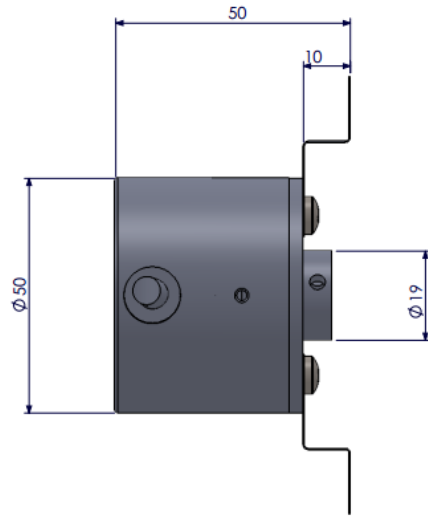
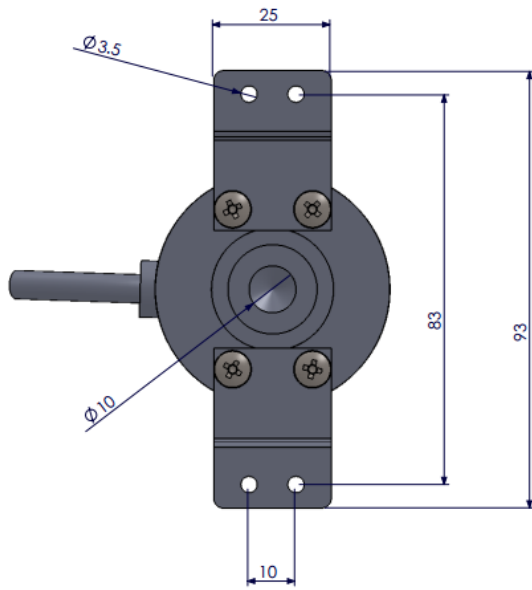
In the left tablet the cable colors of sensors output signals are given. If the control circuit is suitable in the Line Driver sensors of the not output signals (/A, /B, /Z) have to be added to the system. If it is not suitable /A, /B, /Z signal cables must be fixed as insulated separately. Don't forget that these edges have electricity too.



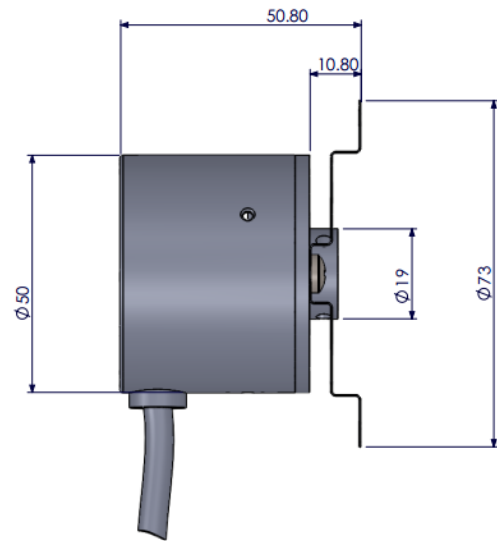
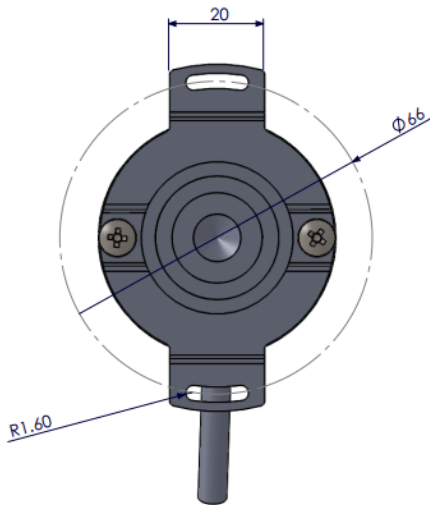
S16 PIN NO	SIGNAL	CABLE COLOR
1	A	YELLOW
2	/B	WHITE
3	+V	RED
4	0 V	BLACK
5	/A	BLUE
6	B	GREEN
7	/Z	GREY
8	Z	PINK
	GROUND	SHIELD

## MECHANICAL DIMENSIONS

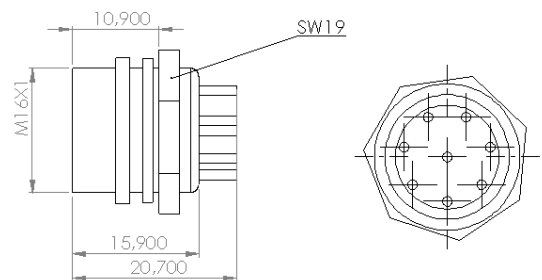
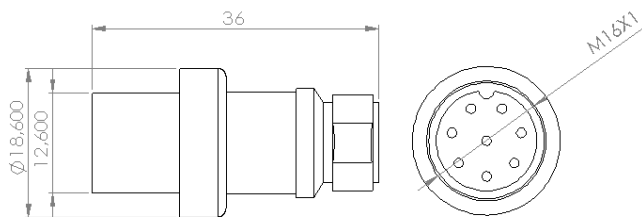
### FZ – “Z” Type Flange



### FC – Circular Flange

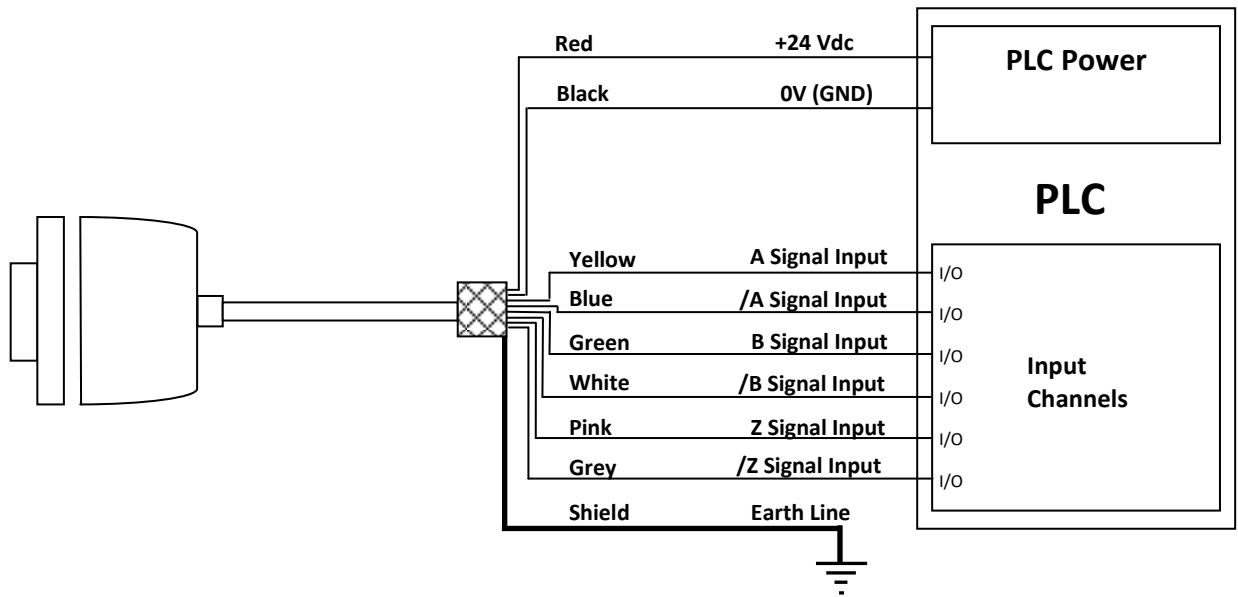


### S16 Socket Dimensions



**Hole Depth:** 20 mm (Standard) – Ask us for the other options

**SAMPLE APPLICATION**



FZ - "Z" Type Flange



FC - Circular Flange



S16 (M16, 8Pin)  
Socket Connector



Backside Poliimid  
Spiral

**ORDER CODING**

**Series**

ARC : Optical  
ARS : Magnetic

**Body Diameter**

50 : 50 mm

**Power Supply and Output**

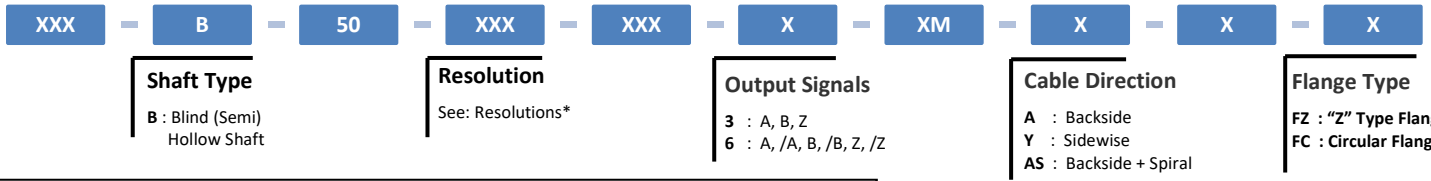
PP : 10...30 VDC Supply  
: 10...30VDC Output  
TTL : 5 VDC Supply  
: 5 VDC TTL Output  
HTL : 10...30 VDC Supply  
: 5 VDC TTL Output  
HPL : 5...24 VDC Supply  
: 5...24 VDC Push-Pull Output  
OCL : Open Collector (Only Optical)

**Cable Length**

3M : 3M (Standard)  
5M : 5M  
8M : 8M  
10M : 10M  
S16 : M16, 8 Pin Socket  
(Only Backside)  
\*Optional up to 35 meters

**Hole Diameter**

6 : 6 mm  
8 : 8 mm  
10 : 10 mm



**\*Resolutions:**

**Optic:** 60 - 100 - 360 - 500 - 1024 - 1250 - 2000 - 2048 - 2500 - 3600 - 4096 - 5000 - 8192 - 10000 - 16384 - 20000 (Optional)

**Magnetic:** 4 - 8 - 16 - 20 - 25 - 32 - 40 - 50 - 64 - 80 - 100 - 125 - 128 - 200 - 250 - 256 - 400 - 500 - 512 - 800 - 1000 - 1024 - 2048 - 3600 - 4096 (Optional)

**Example Coding:**

ARC-B-50-1024-PP-6-10M-A-10-FZ

Optical, Semi Hollow Shaft, 50 mm body diameter, 1024 pulse, Push-Pull, 6 Output Signals, Backside 10 meters cable, 10 mm hole diameter. Z type flange rotarv encoder

**Atek Sensor Technology A.S.**



Tuzla Kimya Sanayicileri Org. San. Bolg. Melek Aras Bulvarı, No:67 34956 Tuzla - Istanbul / TURKEY  
Tel: +90 216 399 44 04 Fax: +90 216 399 44 02  
[www.ateksensor.com](http://www.ateksensor.com) [info@ateksensor.com](mailto:info@ateksensor.com)